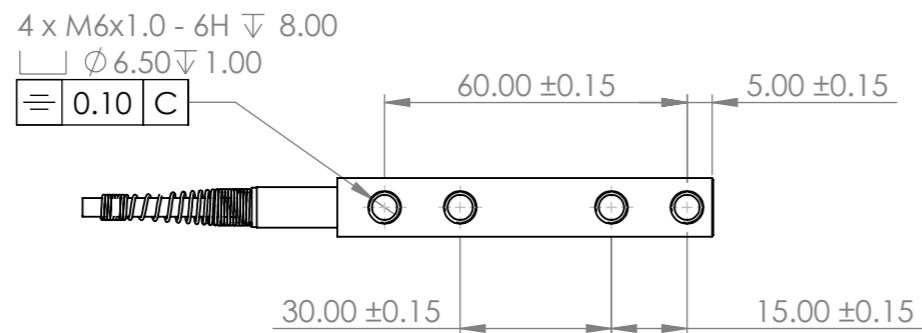
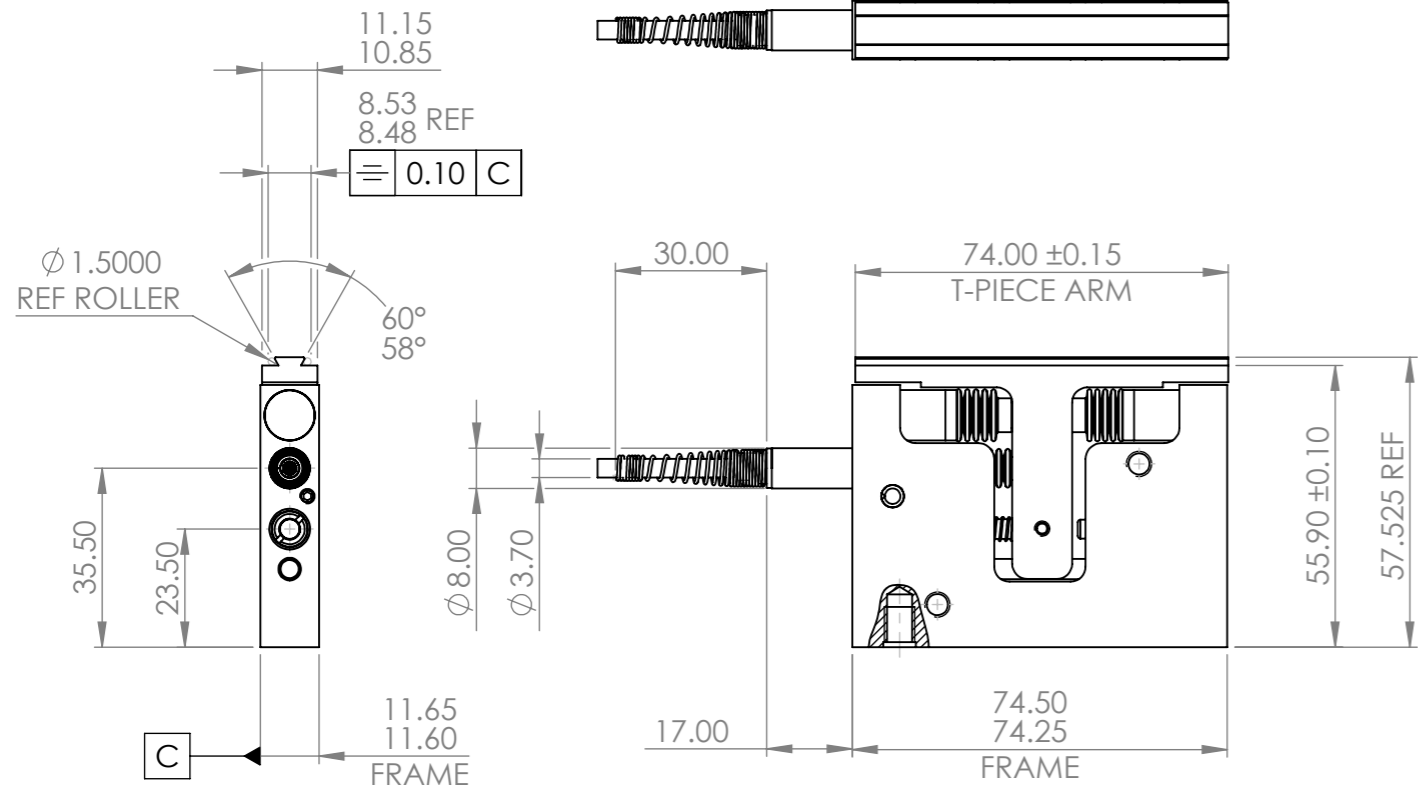
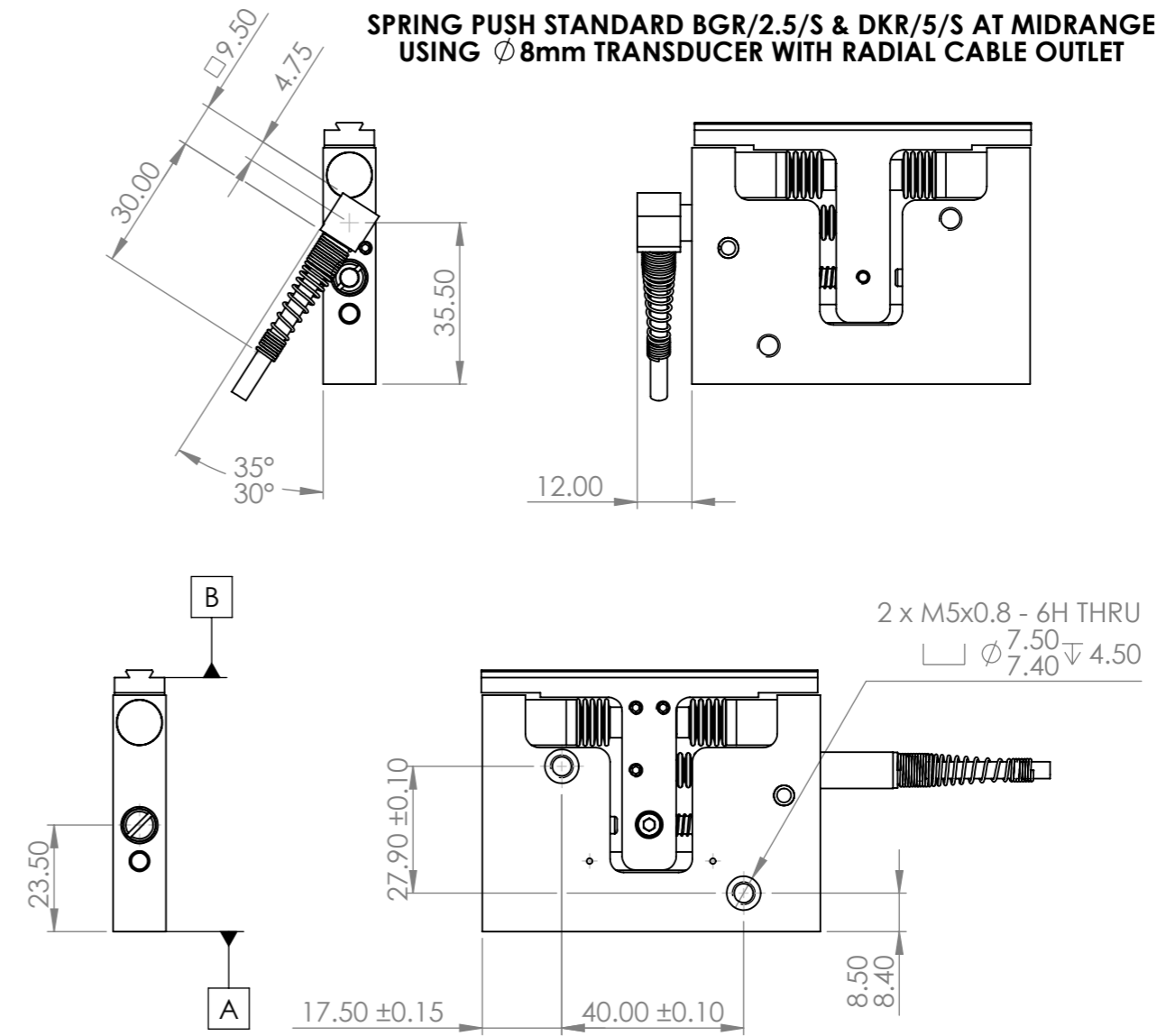


**SPRING PUSH STANDARD BG/2.5/S & DK/5/S AT MIDRANGE
USING \varnothing 8mm TRANSDUCER WITH AXIAL CABLE OUTLET**

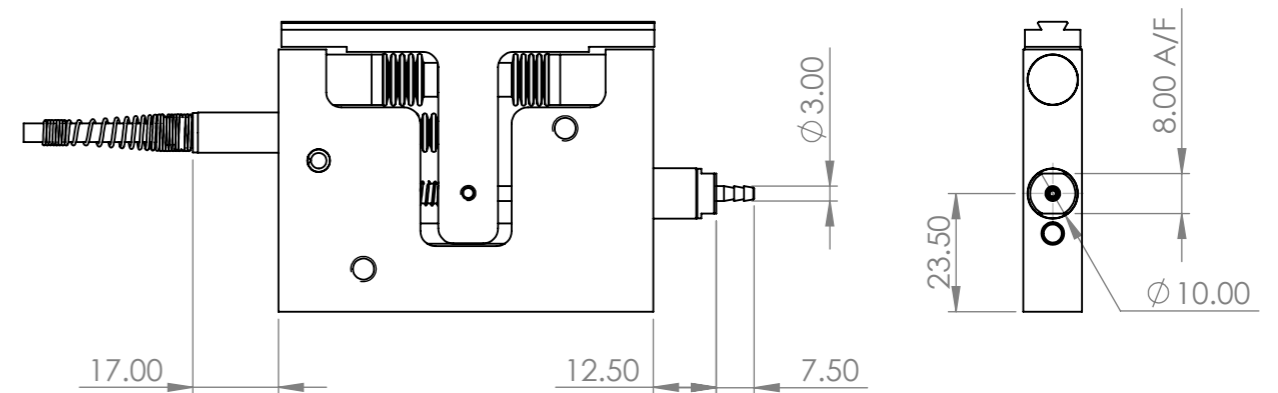
DOVETAIL TO BS EN ISO 9493:2010



**SPRING PUSH STANDARD BGR/2.5/S & DKR/5/S AT MIDRANGE
USING \varnothing 8mm TRANSDUCER WITH RADIAL CABLE OUTLET**



**SPRING PUSH STANDARD BG/2.5/P & DK/5/P AT MIDRANGE
USING \varnothing 8mm TRANSDUCER WITH AXIAL CABLE OUTLET**



STEYNING WAY • BOGNOR REGIS • SUSSEX • ENGLAND • PO22 9ST

DRAWING NUMBER

540002-080

TITLE

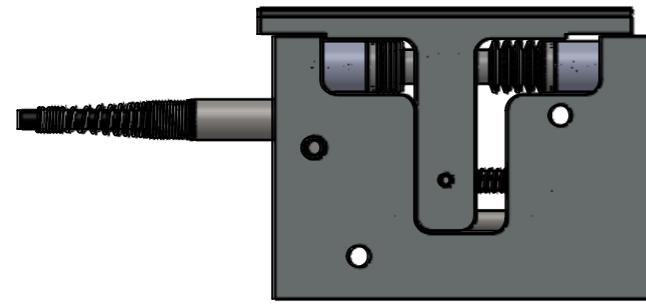
BLOCK GAUGE
BG/2.5 & DK/5

E.D.C.R.

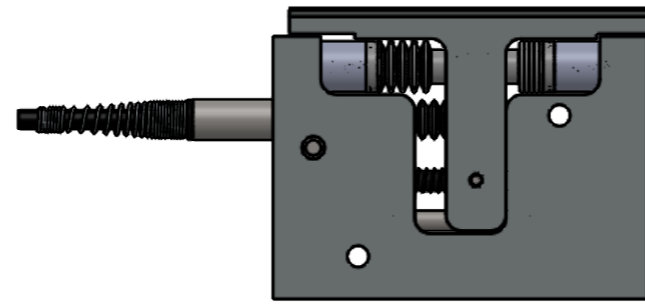
22692

ISSUE

5

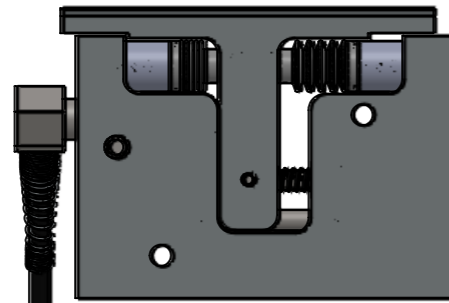
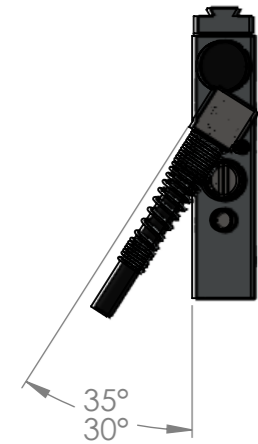


**BG/2.5/R(H) OR DK/5/R
REVERSED ACTION**

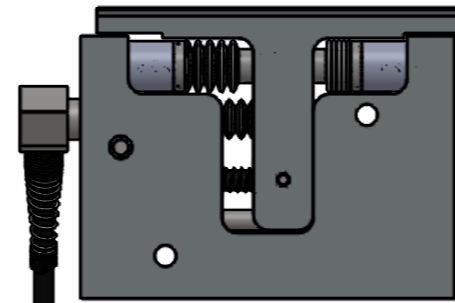
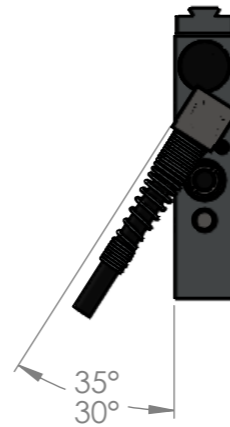


**BG/2.5/S(H) OR DK/5/S
STANDARD**

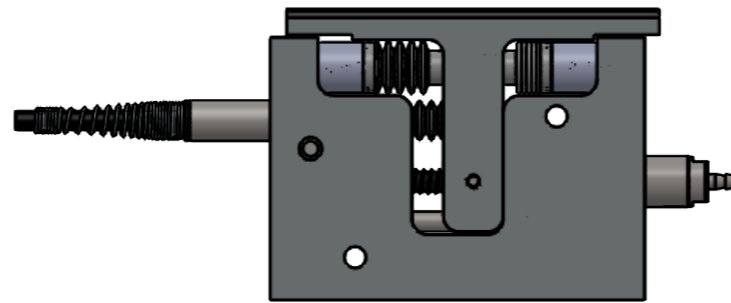
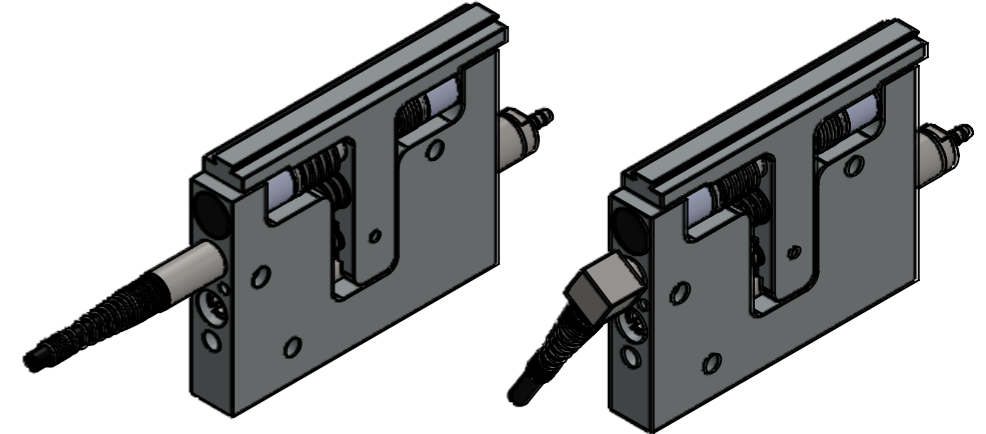
- NOTES:-
1. ALL BLOCK GAUGE PRODUCTS ARE SHOWN IN THE REST POSITION.
 2. FOR ALL PRODUCTS WITH RIGHT ANGLE CABLE OUTLET AND MANUFACTURER FITTED PNEUMATIC CYLINDER, TRANSDUCER LEAD OUT ANGLE IS 30°-35°, EXCEPT REVERSED BLOCK GAUGES.
 3. FOR ALL PRODUCTS WITH RIGHT ANGLE CABLE OUTLET AND RETROFIT PNEUMATIC CYLINDERS, BOTH SIDE ACCESS, OR FROM TRANSDUCER SIDE ONLY, TRANSDUCER LEAD OUT ANGLE IS 45°-50°.



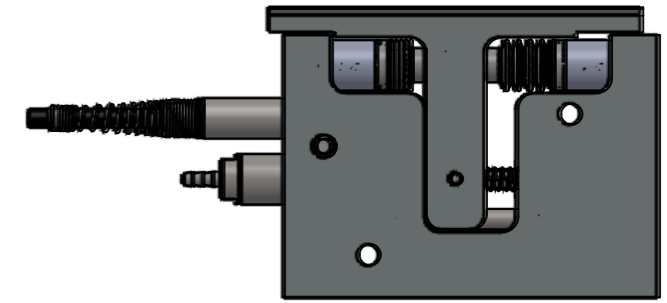
**BGR/2.5/R(H) OR DKR/5/R
REVERSED ACTION**



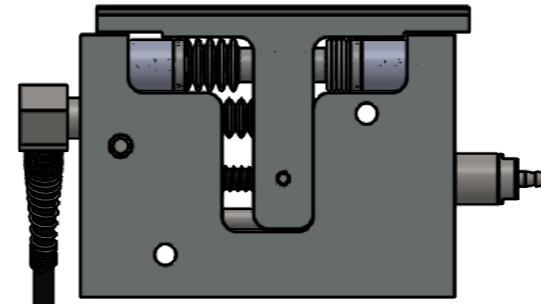
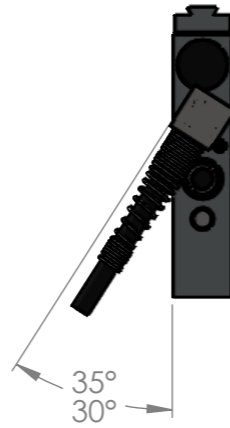
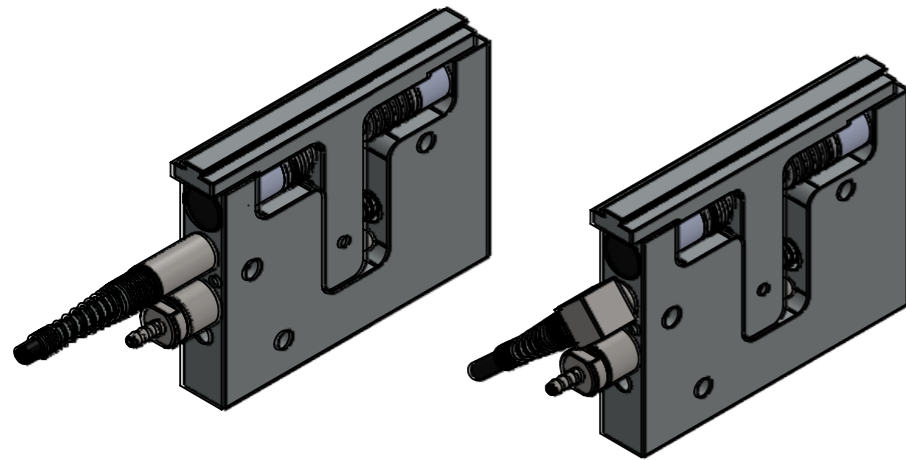
**BGR/2.5/S(H) OR DKR/5/S
STANDARD**



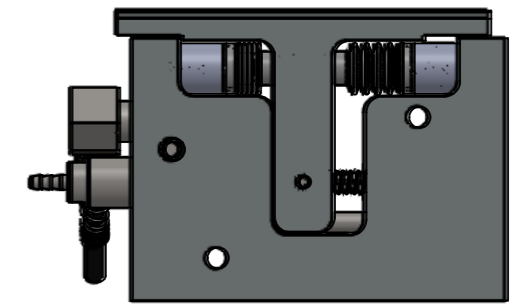
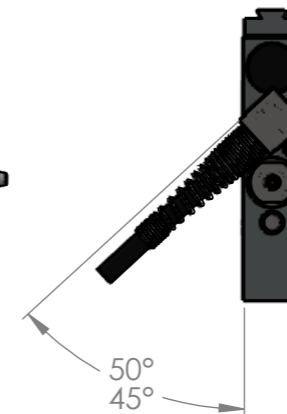
**BG/2.5/P(H) OR DK/5/P
STANDARD**



**BG/2.5/RP(H) OR DK/5/RP
REVERSED ACTION**



**BGR/2.5/P(H) OR DKR/5/P
STANDARD**



**BGR/2.5/R(H) OR DKR/5/RP
REVERSED ACTION**



STEYNING WAY • BOGNOR REGIS • SUSSEX • ENGLAND • PO22 9ST

DRAWING NUMBER

540002-080

TITLE

BLOCK GAUGE
BG/2.5 & DK/5

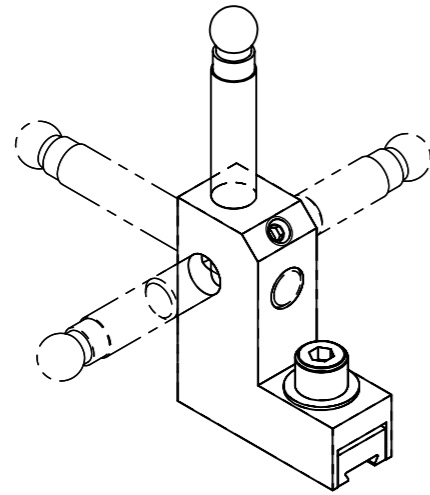
E.D.C.R.

22692

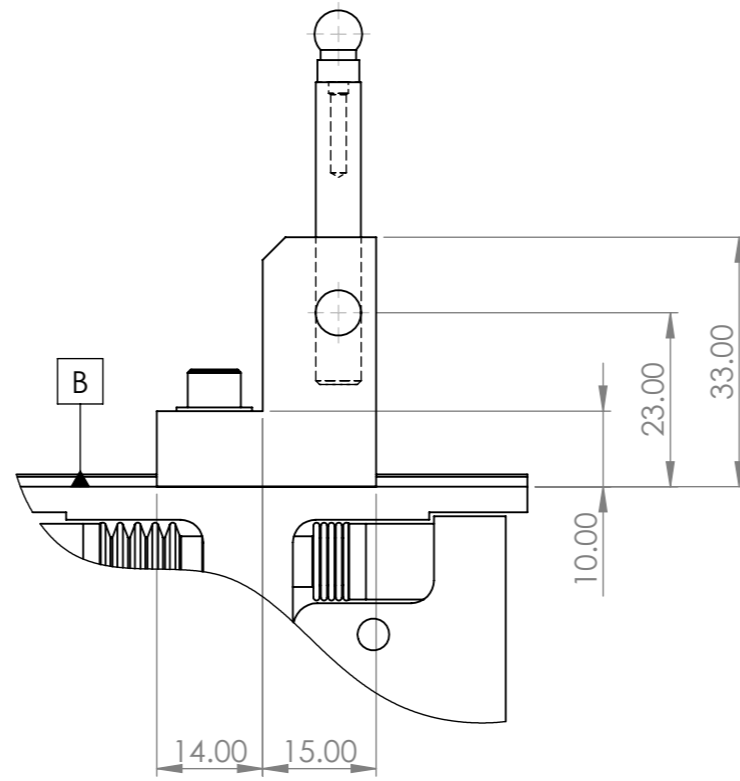
ISSUE

5

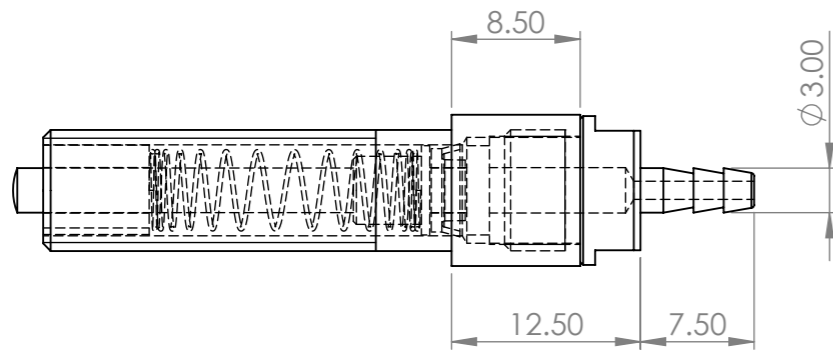
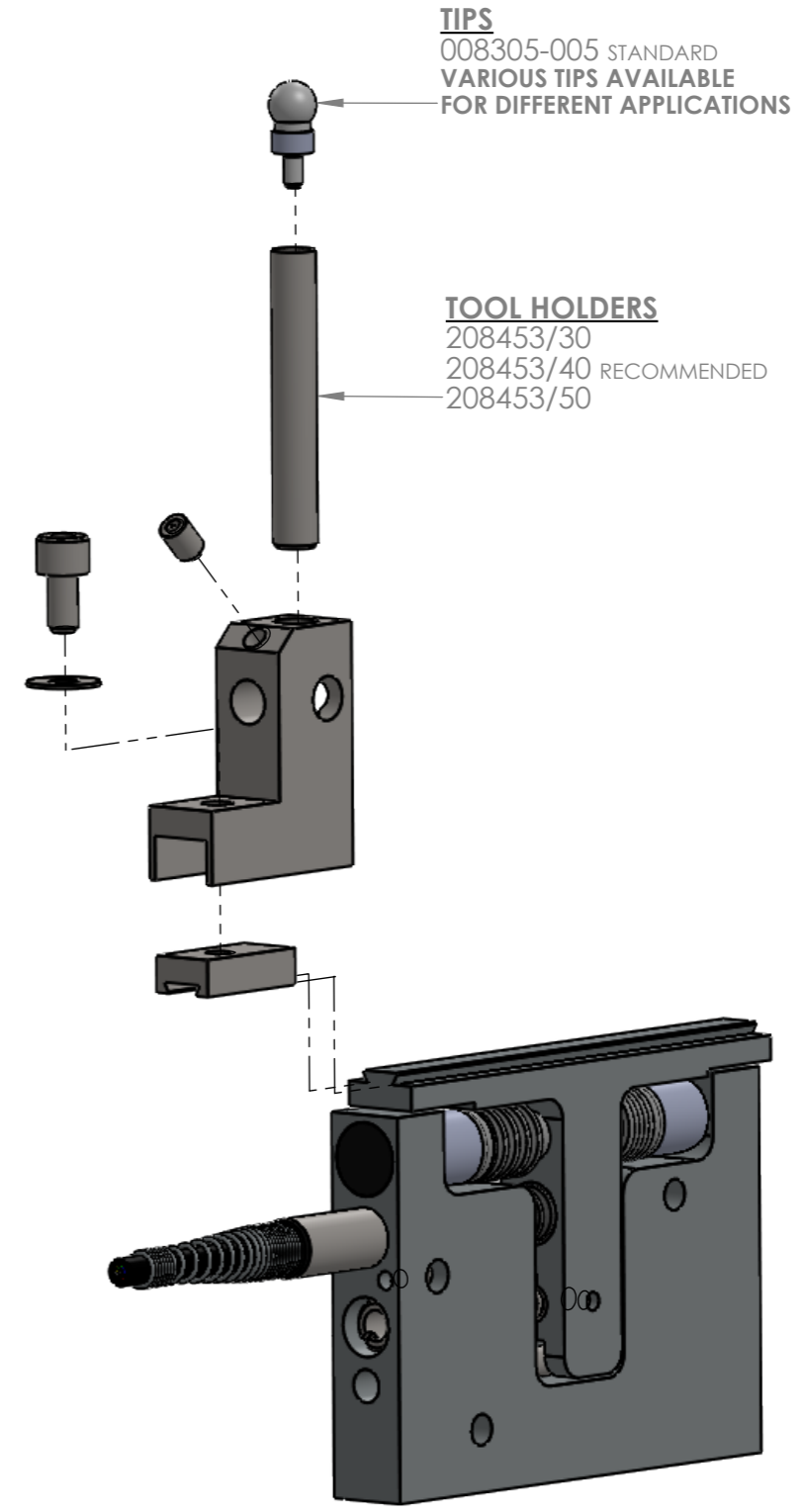
SOLARTRON PURSUES A POLICY OF CONTINUOUS DEVELOPMENT. SPECIFICATIONS IN THIS DOCUMENT MAY THEREFORE BE CHANGED WITHOUT NOTICE. DIMENSIONS ARE NOMINAL AND SPECIFIED IN MILLIMETRES



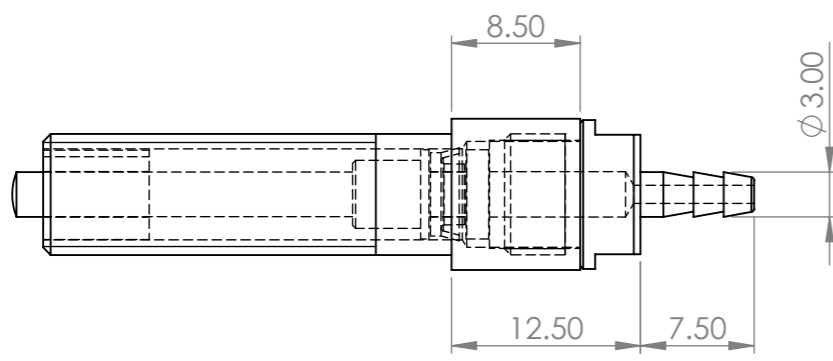
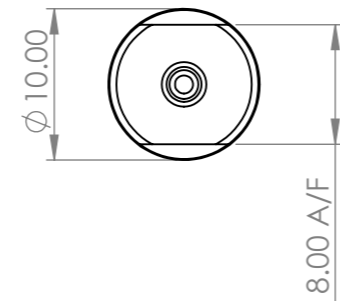
804798-SX TOOL HOLDER ASSY BG/2.5 & DK/5 - ϕ 6mm - DOVETAIL
 DOVETAIL TO BS EN ISO 9493:2010
 TIP & TOOL HOLDER SHOWN FOR ALTERNATIVE POSITION ONLY



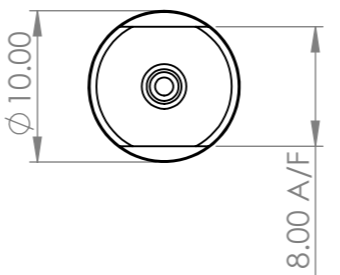
TOOL HOLDER -ASSEMBLED




805493-SX CYLINDER M8x0.75-6g WITH SPRING RETURN



805490-SX CYLINDER M8x0.75-6g



BLOCK GAUGE ACCESSORIES

 STEYNING WAY • BOGNOR REGIS • SUSSEX • ENGLAND • PO22 9ST	DRAWING NUMBER	TITLE	E.D.C.R.	22692
	540002-080	BLOCK GAUGE BG/2.5 & DK/5	ISSUE	5
SOLARTRON PURSUES A POLICY OF CONTINUOUS DEVELOPMENT. SPECIFICATIONS IN THIS DOCUMENT MAY THEREFORE BE CHANGED WITHOUT NOTICE. DIMENSIONS ARE NOMINAL AND SPECIFIED IN MILLIMETRES				